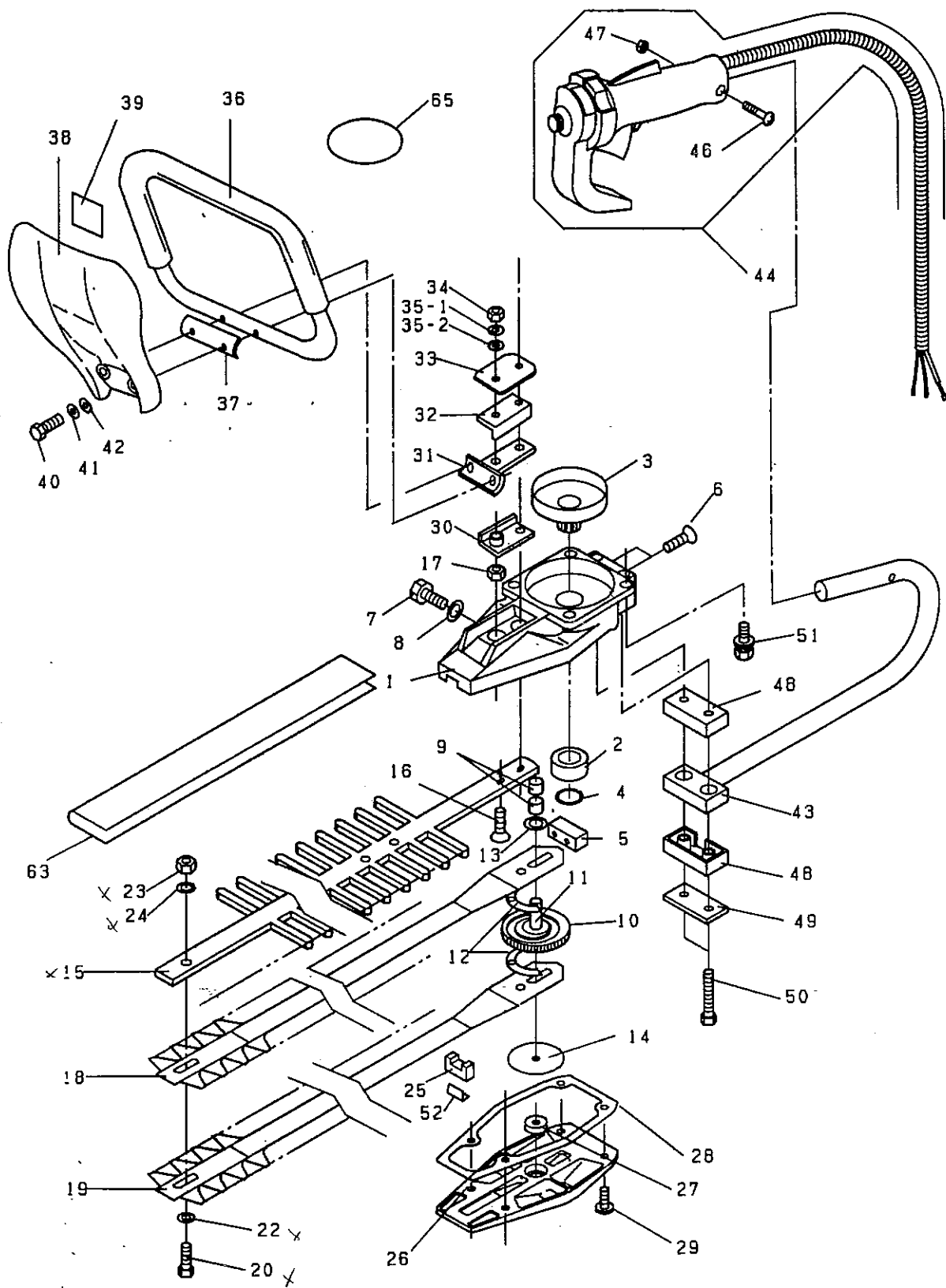


[HT412 PARTS PRICE LIST 1/2]

NO.	CODE NO.	NAME	QTY	FOB @¥
1	165-216-4	GEAR CASE	1	2,402
2	004-602-0	BEARING	1	300
3	502-904-0	CLUTCH DRUM	1	1,409
4	008-061-0	STOP RING	1	23
5	165-215-3	BEARING HOLDER	1	169
6	002-103-0	FLAT H. SCREW (4 X 10)	2	15
7	001-050-0	OIL HOLE BOLT (M6 X 8)	1	15
8	166-475-3	PACKING-OIL HOLE	1	15
9	502-907-2	CATCHER (L)-SHAFT	2	238
10-11	166-719-7	CRANK GEAR ASS'Y (L)	1	4,127
10	502-911-1	CRANK GEAR	1	2,680
11	165-216-5	GEAR SHAFT	1	333
12	502-980-0	CAM-CRANKGEAR	2	1,139
13	502-908-0	BLADE GUIDE (S)	1	38
14	502-913-0	BLADE GUIDE (L)	1	84
15	166-756-9	STAY FOR HT412	1	5,717
16	002-129-0	FLAT H. BOLT-STAY (M6X35)	2	8
17	003-122-1	U-NUT-STAY (M6)	2	46
18	166-477-6	BLADE, UPPER FOR HT412	1	6,116
19	166-478-2	BLADE, LOWER FOR HT412	1	6,116
20	502-917-0	BOLT (S)-BLADE	5	53
22	502-918-0	WASHER-BLADE	5	7
23	003-122-1	U-NUT-BLADE	5	46
24	003-272-0	SPRING WASHER-BLADE	5	7
25	502-914-0	GREASE PACKING	1	46
26	502-916-2	BOTTOM PLATE-GEAR CASE	1	485
27	166-472-2	BEARING	1	346
28	502-915-0	PACKING-BOTTOM PLATE	1	46
29	002-906-0	TAP. SCREW-BOTTOM PLATE	4	8
30	502-919-0	CUSHION (A)-LOOP	1	127
31	502-920-0	HANDLE STAY-LOOP HANDLE	1	516
32	166-538-5	CUSHION (B)-LOOP	1	69
33	502-921-0	CUSHION PLATE	1	46
34	003-002-0	HEX. NUT-STAY (M6)	2	9
35-1	003-272-0	SPRING WASHER-STAY (M6)	2	7
35-2	003-222-0	WASHER-STAY (M6)	2	7
36	502-922-0	LOOP HANDLE	1	2,617
37	502-923-0	HOLDER-LOOP HANDLE	1	127
38	502-924-0	HANDLE COVER	1	317
39		LABEL	1	
40	165-214-2	SOCKET H. SCREW (M5 X 30)	2	8
41	003-277-0	RING WASHER-L. HANDLE (M5)	2	9
42	003-227-0	WASHER-L. HANDLE (M5)	2	8
43	166-622-2	U-HANDLE	1	947
44	165-582-4	THROTTLE LEVER ASS'Y	1	4,211
46	165-577-5	SCREW (M5 X 30)	1	15
47	003-008-0	NUT (M5)	1	7

[HT412 PARTS PRICE LIST 2/2]

NO.	CODE NO.	NAME	QTY	FOB @¥
48	502-925-0	CUSHION (C)(D)-U-HANDLE	2	61
49	166-969-8	CUSHION PLATE	1	70
50	001-713-0	BOLT-U. HANDLE (M6 X 35)	2	15
51	001-806-0	BOLT-ENGINE (M6 X 20)	4	15
63	165-221-1	BLADE COVER	1	246



MODEL HT412